



Series HP - Servo

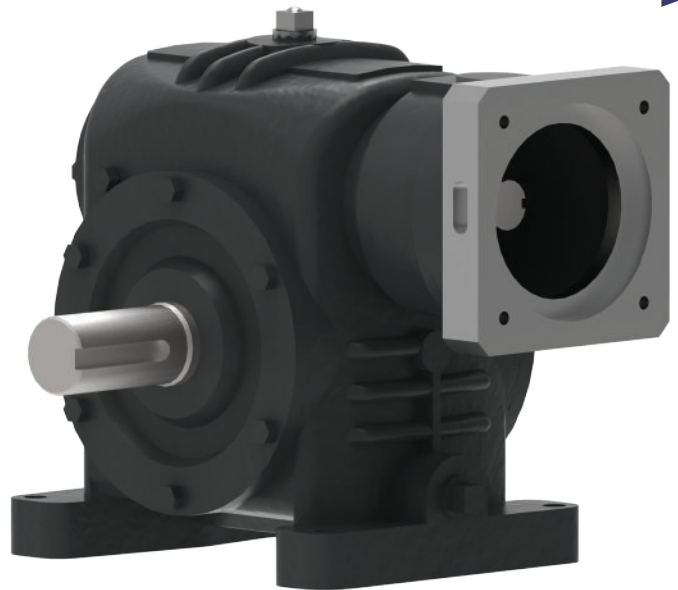
The Series HP - Servo gearbox is designed with power and precision in mind. Cone Drive's industry leading right angle, double-enveloping gearboxes are made for applications that require high torque and motion control in a quiet, compact package. The Series HP - Servo is ready to deliver the performance and accuracy you need.

FOOD & BEVERAGE | PACKAGING | AUTOMATION & ROBOTICS | AEROSPACE | DEFENSE

MADE IN
USA

HIGH POWER PRECISION

- Double-enveloping worm gearing supported with two input bearings
- Vented, cast iron housing
- Low or standard backlash
- Bellows or jaw style coupling
- Best in class lead times
- 5 year warranty



 CONFIGURE & DOWNLOAD YOUR MODEL AT www.ConeTools.com SERIES HP-Servo

S P E C I F I C A T I O N S

Center Distance: 3.0 thru 8.0 in

Ratio: 5:1 thru 70:1

Nominal Backlash: 2 - 35 arcmin

Output Torque_{ConstantSpeed} : $\leq 97,100$ lb-in


Output Torque_{Acceleration} : $\leq 121,000$ lb-in




Input Shaft: Single or double extended

Output Shaft: Solid (single or double extended), Hollow, Shrink Disc

Cooling: Optional fan cooling



 Cone Drive Operations, Inc.
240 East 12th Street
Traverse City, MI 49684, USA

 +1.888.994.2663
 orders@conedrive.com
 conedrive.com



03232022